

## New Product **PU-305BD-TX**

### Bi-Directional Digital Audio over Single CAT Transmitter



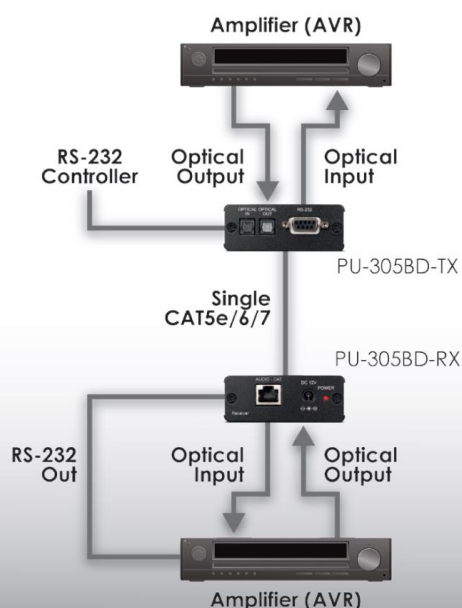
The PU-305BD-TX transmitter is designed to send digital audio signals up to 300m over CAT5e/6 cable infrastructure. This device is Bi-Directional and supports Digital Optical signals allowing transmission up to 300m at 96KHz sample rate, or 100m at 192KHz sample rate. This extender set also supports RS-232 signals over the same CAT5e/6 cable. The PU-305BD-TX can be powered at either end using the supplied PSU adaptor for added flexibility. Digital audio signals are supported up to a sample rate of 192KHz, and support for LPCM Stereo and Multichannel digital audio (LPCM, DTS, Dolby Digital, Dolby Digital Plus) is also provided.

The PU-305BD-TX is designed to work with the PU-305BD-RX receiver or the PU-305BDA-RX analogue receiver.

The PU-305BD-KIT is perfect for multi-room AV systems where the optical audio from a HDTV or amplifier can be routed back to a rack matrix for further distribution throughout a wider multi-room AV system.

#### FEATURES

- Supports Optical SDPIF Input & Output, plus RS-232
- Supports up to 24bit 192kHz audio signals
- Supports 192kHz audio up to 100m and 96kHz or lower audio up to 300m
- Supports LPCM, DTS, Dolby Digital and Dolby Digital Plus signals
- Supports PoE (Power over Ethernet) via a single PSU which can be connected at either end of the extender set



#### SPECIFICATIONS

Input:	1x Toslink (1x Optical Toslink DTS / Dolby Digital / 2 Channel LPCM / Dolby Digital Plus), 1x 9pin Dsub (1x RS-232 Data)
Output:	1x Toslink (1x Optical DTS / Dolby Digital / 2 Channel LPCM / Dolby Digital Plus), 1x RJ45 (1x Digital Audio Propriety Data)
Power:	12V DC (US/EU standards, CE/FCC/UL certified)
Dimensions:	80mm (W) x 70mm (D) x 25mm (H)
Gross Weight:	580g
Net. Weight:	160g
Packaging:	Boxed

